

Powerware series

# Eaton 9130 Tower UPS



## Product snapshot

<b>Product rating:</b>	700–3000 VA
<b>Voltage</b>	120 Vac, 208–240V
<b>Frequency:</b>	50/60 Hz (auto-sensing)
<b>Configuration:</b>	Tower

Advanced power protection for:

- IT and networking environments
- Servers, networking gear
- Telecommunications, VoIP, security systems
- Medical systems
- Diagnostics and medical screening
- Patient record archives
- Manufacturing systems
- Chip fabrication
- Pharmaceutical production
- Chemical processing

## Features

- Protects against downtime, data loss and process interruption by providing continuous, clean power
- Offers premium performance with a 0.9 power factor and >95 percent efficiency in high efficiency mode
- Increases battery service life and system uptime with ABM® battery charging technology
- Enables prolonged runtime of essential equipment during power outages by allowing for orderly, remote shutdown of non-critical systems or processes
- Conserves valuable space with a slim tower design
- Ensures data and system integrity with the Intelligent Power® Software Suite for monitoring, management and shutdown of connected devices — perfect for virtual environments
- Provides a two-year limited warranty, an extended warranty, on-site Flex and on-site PowerTrust service contracts, and a \$250,000 load protection guarantee (U.S. and Canada)

## Maximum availability

- ABM technology increases battery life and system uptime
- Load segments allow for selective load shedding during outages
- Optional hot-swappable extended battery modules (EBMs) extend backup runtime for hours
- Internal hot-swappable batteries can be replaced without powering down the UPS
- UPS startup on battery power
- Optional HotSwap Maintenance Bypass (MBP) enables the entire UPS to be serviced or replaced without interrupting power to loads

## Low total cost of ownership

- More real output power for dollar spent with 0.9 power factor
- Cuts energy usage and costs with >95% efficiency rating in high efficiency mode



Powering Business Worldwide





**Bright LCD user interface**



**Add up to four EBM's for hours of runtime**



**Optional FlexPDU and HotSwap MBP for greater flexibility and uptime**

### UPS status and operation

- Bright, front panel LCD for easy monitoring and management
- LEDs to show system status
- Optional FlexPDU adds more plug-and-play flexibility, streamlining power distribution
- Multiple options for industry-standard communications
- Intelligent Power Manager supervisory software (compatible with VMware's vCenter™ Server and vMotion™) is free of charge
- Free Intelligent Power Protector shutdown software enables automatic, graceful shutdown in the event of an extended power outage
- Free NetWatch 5.0 software enables automatic shutdown of UPS-protected devices, including virtualized servers
- Direct monitoring via existing management systems and LANs

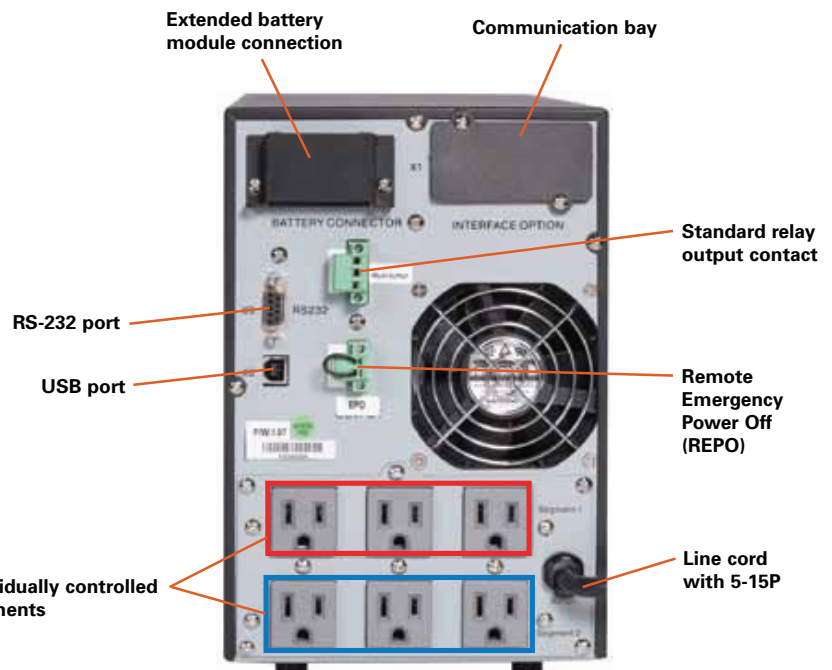
### Communications

- A standard communication slot accepts interfaces for Web, SNMP, Modbus or serial connectivity
- Connect directly to the Ethernet network and the Internet to monitor and manage the UPS with a standard Web browser
- Monitor power conditions in real time through existing facilities or building management system
- Monitor and gracefully shut down multiple servers running various operating systems
- Receive alarm notifications from the UPS, environmental monitoring devices or security systems

For more information on the 9130, please visit [www.eaton.com/9130](http://www.eaton.com/9130) or call **800.356.5794**.



**Eaton NetWatch Client 5.0 has tested compatible with Cisco Unified Communications Manager 4.3. Go to [www.eaton.com/PQ/cisco](http://www.eaton.com/PQ/cisco) for disclaimer.**



**Battery runtimes (in minutes)**

Load (VA/Watts)	Internal batteries	w/1 EBM	w/2 EBMs	w/3 EBMs	w/4 EBMs	Load (VA/Watts)	Internal batteries	w/1 EBM	w/2 EBMs	w/3 EBMs	w/4 EBMs
<b>PW9130L700T</b>						<b>PW9130i1500T-XL</b>					
700/490	8	N/A	N/A	N/A	N/A	1500/1050	7	32	61	98	128
525/368	12	N/A	N/A	N/A	N/A	1125/788	11	47	83	126	195
350/245	21	N/A	N/A	N/A	N/A	750/525	18	81	143	208	262
175/123	37	N/A	N/A	N/A	N/A	375/263	38	171	298	416	564
<b>PW9130i700T</b>						<b>PW9130L2000T-XL</b>					
700/490	8	N/A	N/A	N/A	N/A	2000/1400	15	61	111	156	194
525/368	12	N/A	N/A	N/A	N/A	1500/1050	21	81	145	184	269
350/245	19	N/A	N/A	N/A	N/A	1000/700	34	129	198	293	410
175/123	35	N/A	N/A	N/A	N/A	500/350	72	225	449	590	766
<b>PW9130L1000T-XL</b>						<b>PW9130i2000T-XL</b>					
1000/700	10	40	73	108	149	2000/1400	15	61	111	156	186
750/525	13	58	101	152	219	1500/1050	21	81	145	184	248
500/350	24	85	172	249	304	1000/700	34	129	198	293	431
250/175	48	190	310	451	569	500/350	72	225	449	590	840
<b>PW9130i1000T-XL</b>						<b>PW9130L3000T-XL</b>					
1000/700	10	40	78	110	150	3000/2100	9	35	66	95	132
750/525	13	55	103	151	223	2250/1575	13	53	100	139	183
500/350	22	82	186	250	312	1500/1050	22	86	153	221	267
250/175	47	190	328	431	584	750/525	69	168	298	395	545
<b>PW9130L1500T-XL</b>						<b>PW9130G3000T-XL / XLEU / PW9130i3000T-XL</b>					
1500/1050	7	34	63	88	135	3000/2100	9	36	68	101	137
1125/788	11	44	84	129	210	2250/1575	12	49	90	134	165
750/525	18	79	148	207	267	1500/1050	20	79	143	180	240
375/263	38	167	278	475	540	750/525	46	161	267	434	547

Notes:  
Backup times are approximate and may vary with equipment, configuration, battery age, temperature, etc.  
Runtimes are shown at a 0.7 power factor.

**9130 models**

Catalog number	Style number	Rating (VA/Watts)	Input connection <sup>1</sup>	Output receptacles	Dimensions H x W x D, in (mm)	Weight, lb (kg)
<b>North American models: 120V, 50/60 Hz</b>						
PW9130L700T	103006426-6591	700/630	5-15P	(6) 5-15R	9.1 x 6.3 x 13.8 (230 x 160 x 350)	26.9 (12.2)
PW9130L1000T-XL	103006427-6591	1000/900	5-15P	(6) 5-15R	9.1 x 6.3 x 15.0 (230 x 160 x 380)	32.0 (14.5)
PW9130L1500T-XL	103006428-6591	1500/1350	5-15P	(6) 5-15R	9.1 x 6.3 x 16.9 (230 x 160 x 430)	41.9 (19.0)
PW9130L2000T-XL	103006429-6591	2000/1800	5-20P	(1) L5-20R, (4) 5-20R	12.8 x 8.4 x 16.1 (325 x 214 x 410)	76.1 (34.5)
PW9130L3000T-XL	103006430-6591	3000/2700	L5-30P	(4) 5-20R, (1) L5-30R	12.8 x 8.4 x 16.1 (325 x 214 x 410)	76.1 (34.5)
<b>Global models: 208V, 50/60 Hz</b>						
PW9130G3000T-XL	103006446-6591	3000/2700	L6-20P <sup>3</sup>	(1) L6-30R, (1) L6-20R, (2) 6-20R	12.8 x 8.4 x 16.1 (325 x 214 x 410)	76.1 (34.5)
PW9130G3000T-XLEU	103006479-6591	3000/2700	L6-20P <sup>3</sup>	(8) C13, (1) C19	12.8 x 8.4 x 16.1 (325 x 214 x 410)	76.1 (34.5)
<b>International models: 230V, 50/60 Hz</b>						
PW9130i700T	103006433-6591	700/630	C14	(6) C13	9.1 x 6.3 x 13.8 (230 x 160 x 350)	26.9 (12.2)
PW9130i1000T-XL	103006434-6591	1000/900	C14	(6) C13	9.1 x 6.3 x 15.0 (230 x 160 x 380)	32.0 (14.5)
PW9130i1500T-XL	103006435-6591	1500/1350	C14	(6) C13	9.1 x 6.3 x 16.9 (230 x 160 x 430)	41.9 (19.0)
PW9130i2000T-XL	103006436-6591	2000/1800	C14	(8) C13, (1) C19	12.8 x 8.4 x 16.1 (325 x 214 x 410)	76.1 (34.5)
PW9130i3000T-XL	103006437-6591	3000/2700	C20	(8) C13, (1) C19	12.8 x 8.4 x 16.1 (325 x 214 x 410)	76.1 (34.5)
<b>Extended battery modules</b>						
PW9130N1000T-EBM <sup>4</sup>	103006438-6591	NA	NA	NA	9.1 x 6.3 x 15.0 (230 x 160 x 380)	40.8 (18.5)
PW9130N1500T-EBM <sup>5</sup>	103006439-6591	NA	NA	NA	9.1 x 6.3 x 16.9 (230 x 160 x 430)	53.6 (24.3)
PW9130N3000T-EBM <sup>6</sup>	103006440-6591	NA	NA	NA	12.8 x 8.4 x 16.1 (325 x 214 x 410)	110.3 (50.0)

# Technical specifications<sup>1</sup>

## General

User interface	Graphical LCD with blue backlight and text in English, French, German, Russian and Spanish
LEDs	Four status-indicating LEDs
Topology	True online, double-conversion
Diagnostics	Full system self-test
UPS bypass	Automatic bypass
Dimensions	See models table
Remote Emergency Power-off (REPO)	Emergency shutdown control through the REPO port

## Electrical input

Nominal voltage	120V, 208V, 220–240V
Voltage range	120V: 90–138 Vac 208/230V: 160–276 Vac
Power draw of UPS	700: 5.8A @120V, 3.4A @208V, 3.0A @230V 1000: 8.3A @120V, 4.8A @208V, 4.3A @230V 1500: 12.5A @120V, 7.2A @208V, 6.5A @230V 2000: 16.6A @120V, 9.6A @208V, 8.7A @230V 3000: 14.4A @208V, 13.0A @230V
Dedicated circuit breaker rating	<b>120V:</b> 700–1500 VA: 15A 2000 VA: 20A 3000 VA: 30A <b>208/230V:</b> 700–2000 VA: 10A 3000 VA: 16A
Frequency	50/60 Hz
Frequency range	45–65 Hz

## Electrical output

Power factor	0.9
On utility voltage regulation	±3% of nominal
On battery voltage regulation	±3% of nominal
Efficiency	>95% in high-efficiency mode; >86% in online mode
Frequency regulation	±3% Hz online
Load crest factor	3 to 1
Voltage waveform	Sine wave
Load segments	Two configurable, individually controlled receptacles

## Battery

Battery type	VRLA 12V/9 Ah (both internal and external)
Battery runtime	>3 minutes with internal batteries @100% load
Battery replacement	Hot-swappable internal and external batteries
Start-on-battery	Allows start of UPS without utility input

## Communications

Serial port	RS-232 standard, for interface to power management software
USB port	HID standard, for communicating with Windows 98, XP, ME and Vista computers
Relay output	Common alarm standard
Communications slot	Optional communication slots (BD Slot, Mini-Slot)
Optional communication cards	SNMP/Web card for direct control and monitoring in SNMP-based networks, monitoring of UPS status and meters through Web browser interface Relay card for integration to industrial environment and building management systems, remote shutdown for IBM AS/400 systems

## Environmental

Safety markings	120/208V: UL, CUL, VCCI 230V: CE, GS
EMC markings	120V: FCC Class B, EN55022 Class B (1.5 kVA and below); FCC Class A, EN55022 Class A (2.0 kVA and above) 230V: CE (per IEC/EN62040-2: Emissions, Category C1; Immunity, Category C2)
Audible noise	<50 dB
Ambient operating temperature	0°C (32°F) to +40°C (104°F)
Storage temperature	-20°C (-4°F) to +40°C (104°F) with batteries and -25°C (-13°F) to +55°C (131 °F) without batteries
Relative humidity	5–90% non-condensing

## Heat dissipation for all voltages: 208–240V and 120V

9130 model	Normal mode, BTUs/hr	On battery, BTUs/hr
<b>700 VA</b>	350	554
<b>1000 VA</b>	500	674
<b>1500 VA</b>	750	1,011
<b>2000 VA</b>	838	1,348
<b>3000 VA</b>	1,257	1,755

<sup>1</sup> Due to continuing product improvement programs, specifications are subject to change without notice.

The 9130 is part of the UPSgrade program

**UPSgrade™**

[www.eaton.com/UPSgrade](http://www.eaton.com/UPSgrade)

